

ACR 810 Collector Tank Chains

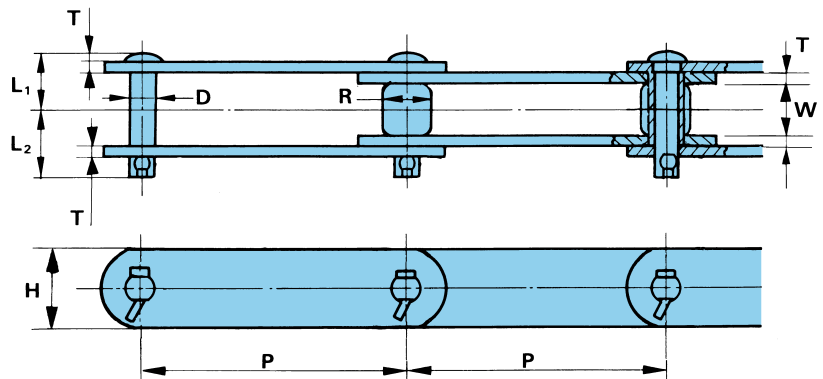
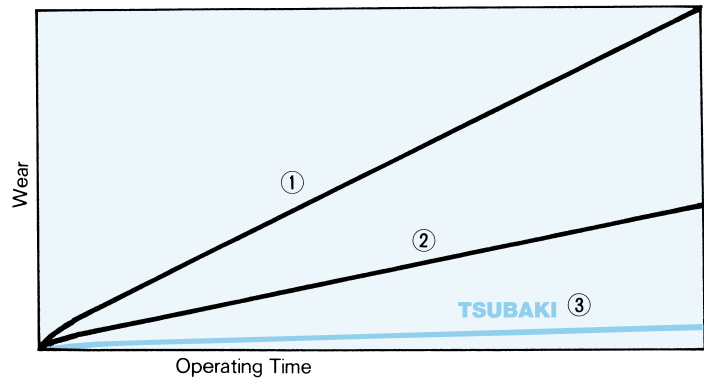
Specially designed ACR Type Chains for sludge scrapers create real cost savings. This chain is one-third the weight of conventional pintle type chains. That means a reduction in both initial and operating costs, not to mention easy maintenance and less shoe wear.

The key to superior anti-corrosive performance is heat-treated stainless steel. ACR Type Chains provide the protection against corrosive sewage conditions that sanitation chains require. Stainless steel components minimize corrosion wear, the primary cause of chain failure.

Combination of Chain and Sprocket

- ① Malleable Cast Iron Chain + Ductile Cast Iron Sprocket
- ② Stainless Steel Chain + Ductile Cast Iron Sprocket
- ③ U.S. Tsubaki Sanitation Chain + U.S. Tsubaki Insert Tooth Sprocket

Relative Wear Life of Chain



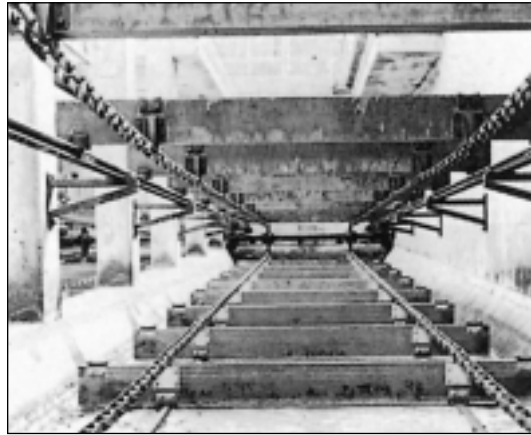
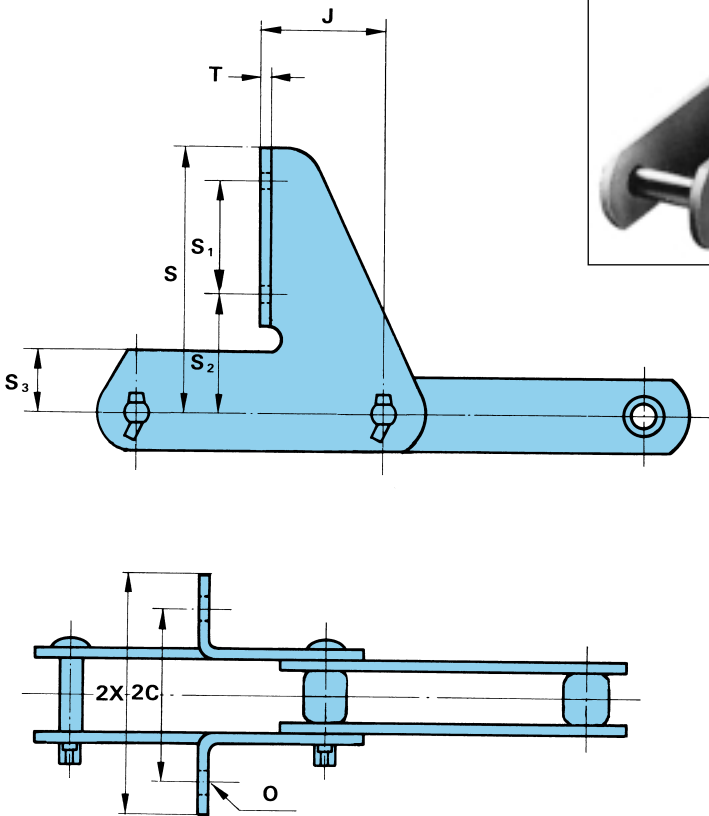
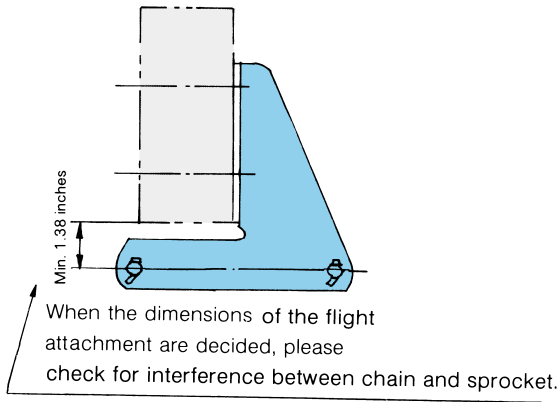
ACR 810 Collector Tank Chain Specifications

All dimensions are in inches unless otherwise indicated.

Chain Number	Average Tensile Stgth. (lbs.)	Pitch	Width Between Inner Link Plates	Roller	Pin		Link Plate		Approx. Weight (lbs./ft.)	
				R	D	L ₁	L ₂	T		H
ACR810	22,000	6,000	.866	.874	.445	.984	1.122	.177	1.299	2.15

To locate compatible sprockets for your chain, refer to the Product Cross-Reference in Section D.

Note: Dimensions are subject to change. Contact Union Chain to obtain certified prints for design and construction.



ACR 810 Collector Tank Chain Attachment Specifications

All dimensions are in inches unless otherwise indicated.

Attach. Style	Chain Number	Attachments									Add'l. Weight (lbs./att.)
		2C	2X	J	S	S ₁	S ₂	S ₃	O	T	
SF-4	ACR810	3.937	5.512	2.992	6.102	2.559	2.756	.866	.551	.177	.60

Note: Attachments with different dimensions are also available upon request.

To locate compatible sprockets for your chain, refer to the Product Cross-Reference in Section D.

Note: Dimensions are subject to change. Contact Union Chain to obtain certified prints for design and construction.