

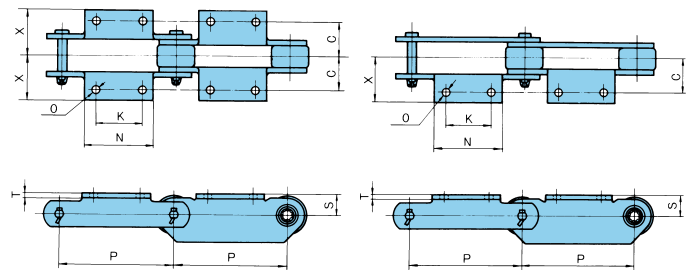
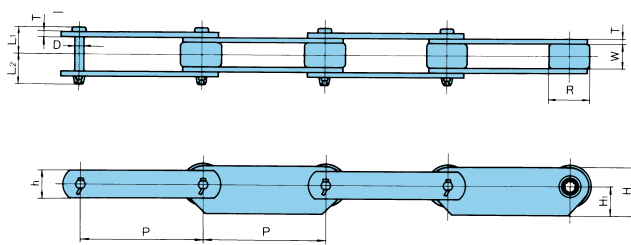
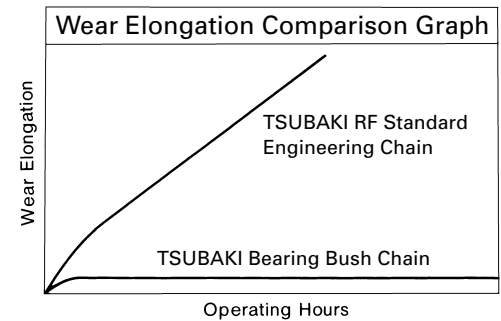
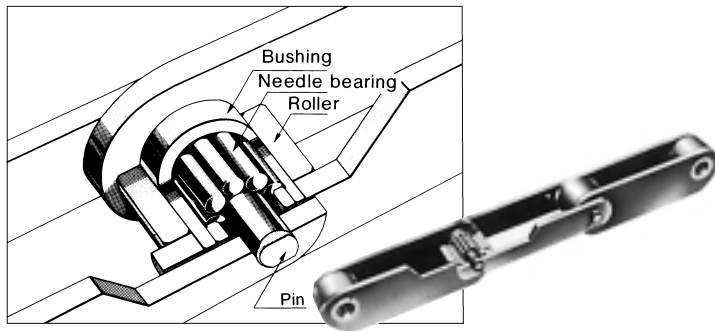
Bearing Bush Chains

U.S. Tsubaki Bearing Bush chain virtually eliminates initial stretch. With needle bearings placed between the pin and bushing, Bearing Bush chain offers excellent wear life without lubrication.

- Virtually eliminates initial stretch
- Precise positioning
- Strong and long lasting

Major dimensions of the chain and attachments are the same as U.S. Tsubaki RF Type Standard Conveyor Chain.

Bearing Bush chain is suggested for precision applications requiring accurate positioning of the conveyed material.



K-2 attachment

A-2 attachment

Bearing Bush Chain (RF Engineering Chain Series) Specifications

All dimensions are in inches unless otherwise indicated.

Chain Number	Maximum Allowable Tension (lbs.)	Maximum Allowable Roller Load (lbs.)	Pitch	P	W	R	Pin			Plate			Approx. Weight (lbs./ft.)
							L ₁	L ₂	D	h	H	H ₁	
RFN03075R	550	120	2.953	.634	1.250	.710	.790	.313	.866	1.378	.787	.125	2.01
RFN05100R	1,100	230	3.937	.866	1.575	.985	1.120	.445	1.260	1.850	1.024	.177	3.89
RFN10150R	1,760	400	5.906	1.181	2.000	1.300	1.415	.571	1.500	2.400	1.378	.250	5.84
RFN12200R	2,200	560	7.874	1.461	2.559	1.600	1.690	.625	1.750	2.795	1.575	.312	8.73
RFN17200R	2,860	900	7.874	2.024	3.150	2.030	2.280	.750	2.000	3.346	2.008	.375	14.44
RFN26250R	4,400	1,190	9.843	2.250	3.937	2.190	2.400	.875	2.500	4.134	2.520	.375	19.14
RFN36300R	5,500	1,680	11.811	2.625	4.921	2.680	3.070	1.000	3.000	4.921	2.953	.500	27.87

To locate compatible sprockets for your chain, refer to the Product Cross-Reference in Section D.

Note: Dimensions are subject to change. Contact Union Chain to obtain certified prints for design and construction.

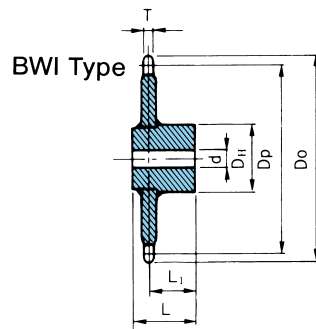
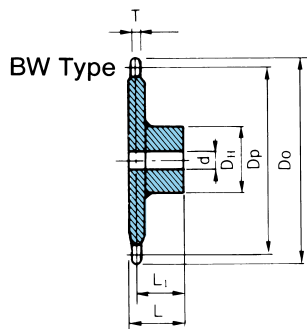
Bearing Bush Chain (RF Engineering Chain Series) Attachments

All dimensions are in inches unless otherwise indicated.

Chain Number	Pitch	Attachment							Additional Weight per Attachment (lbs.)	
		S	C	X	K	N	T	O	A ₂	K ₂
RFN03075R	2.953	.787	1.181	1.810	1.181	2.165	.125	.394	.11	.22
RFN05100R	3.937	.866	1.378	1.850	1.575	2.560	.177	.394	.18	.36
RFN10150R	5.906	1.102	1.968	2.640	2.362	3.543	.250	.472	.44	.88
RFN12200R	7.874	1.500	2.362	3.110	3.150	4.724	.312	.590	.99	1.98
RFN17200R	7.874	1.770	2.950	3.937	2.640	4.724	.375	.590	1.45	2.90
RFN26250R	9.843	2.165	2.640	4.250	4.921	6.690	.375	.590	2.36	4.72
RFN36300R	11.811	2.755	2.937	5.315	5.906	8.660	.500	.748	3.96	7.92

Bearing Bush Sprocket Specifications

Sprocket Number	Number of Teeth	Type	Pitch Dia.	Outer Dia.	Tooth Thick.	Bore Dia.		Hub Dia.	Hub Length		Approx. Weight (lbs./ft.)
						Min.	Max.				
			D _p	D _o	T			DH	L	L ₁	
RFN03075R-8T	8	BW	7.717	8.235	.512	.788	1.773	2.758	2.403	2.087	11.02
RFN03075R-10T	10	BW	9.555	10.047	.512	.788	1.970	2.955	2.600	2.283	15.43
RFN03075R-12T	12	BW	11.402	11.938	.512	.788	1.970	2.955	2.600	2.283	19.84
RFN05100R-8T	8	BW	10.287	10.756	.670	.985	2.561	3.940	3.310	2.933	26.46
RFN05100R-10T	10	BW	12.740	13.396	.670	.985	2.561	3.940	3.310	2.933	36.38
RFN05100R-12T	12	BW	15.213	15.839	.670	.985	2.955	4.334	3.704	3.327	51.81
RFN10150R-8T	8	BW	15.433	16.154	.906	1.182	3.349	5.122	4.334	3.838	72.75
RFN10150R-10T	10	BW	19.110	19.818	.906	1.379	3.743	5.516	4.728	4.232	104.72
RFN10150R-12T	12	BW	22.819	23.640	.906	1.379	3.940	5.910	4.925	4.429	147.71
RFN12200R-8T	8	BW	20.575	21.631	1.143	1.576	4.334	6.304	5.319	4.331	143.30
RFN12200R-10T	10	BW	25.480	26.516	1.143	1.773	4.728	7.092	5.910	4.921	224.87
RFN12200R-12T	12	BW	30.421	31.481	1.143	1.773	5.122	7.486	6.304	5.315	310.85
RFN17200R-8T	8	BW	20.575	21.867	1.655	1.773	4.728	7.092	5.910	4.646	198.41
RFN17200R-10T	10	BW	25.480	26.753	1.655	1.773	5.122	7.486	6.304	5.039	295.42
RFN17200R-12T	12	BW	30.421	31.717	1.655	1.970	5.713	8.274	7.092	5.827	423.28
RFN26250R-8T	8	BW	25.720	27.304	1.852	1.970	5.713	8.274	7.092	5.669	343.92
RFN26250R-10T	10	BW	31.850	33.451	1.852	1.970	5.713	8.274	7.092	5.669	493.83
RFN26250R-12T	12	BW	38.028	39.636	1.852	1.970	6.304	9.062	7.880	6.457	694.45
RFN36300R-8T	8	BW	30.862	32.860	2.246	2.364	6.895	9.850	8.668	7.008	593.04
RFN36300R-10T	10	BW	38.220	40.227	2.246	2.758	7.486	10.638	9.456	7.795	875.23
RFN36300R-12T	12	BW	45.634	47.635	2.246	3.152	8.274	11.820	10.244	8.583	1,240.09



To locate compatible sprockets for your chain, refer to the Product Cross-Reference in Section D.

Note: Dimensions are subject to change. Contact Union Chain to obtain certified prints for design and construction.