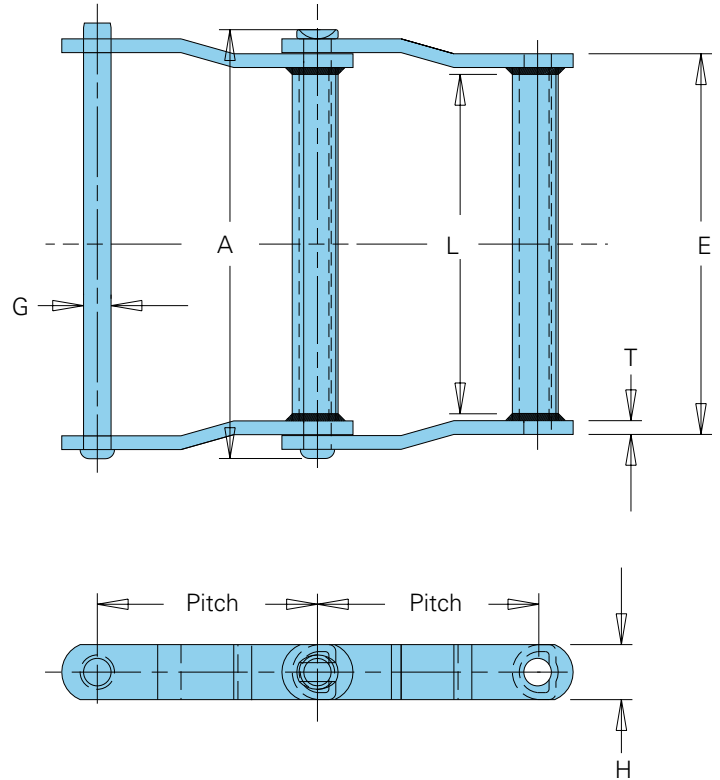




**Drag Chain**



**Welded Steel Drag Chain**

All dimensions are in inches unless otherwise indicated.

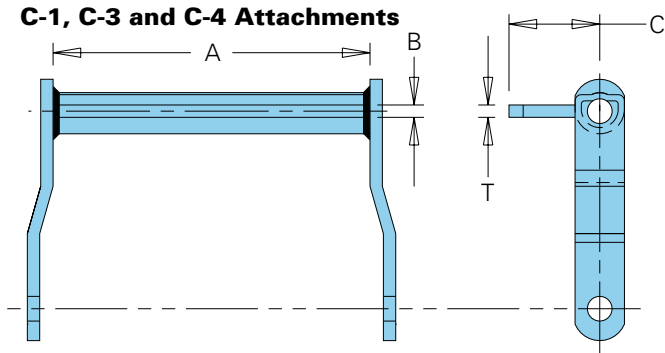
Chain Number	Pitch	Chain Width		Barrel L	Pin Diameter G	Sidebars		Average Ultimate Strength (lbs.)	Maximum Working Load (lbs.)	Approx. Weight (lbs./ft.)
		Overall A	Length of Bearing E			Thickness T	Height H			
WDH-102	5.000	9.25	7.75	6.38	.75	.38	1.50	60,000	10,000	11.8
WDH-104	6.000	6.88	5.38	4.13	.75	.38	1.50	60,000	10,000	8.7
WDH-110	6.000	11.88	10.38	9.00	.75	.38	1.50	60,000	10,000	12.0
WDH-113	6.000	12.50	10.63	9.00	.88	.50	1.50	68,000	11,700	15.0
WDH-112	8.000	11.88	10.38	9.00	.75	.38	1.50	60,000	10,000	9.8
WDH-116	8.000	15.38	14.13	12.75	.75	.38	1.75	80,000	11,500	14.5
WDH-480	8.000	14.63	12.75	11.00	.88	.50	2.00	90,000	15,000	18.1

Indicates this chain is normally stocked. All others are made-to-order.

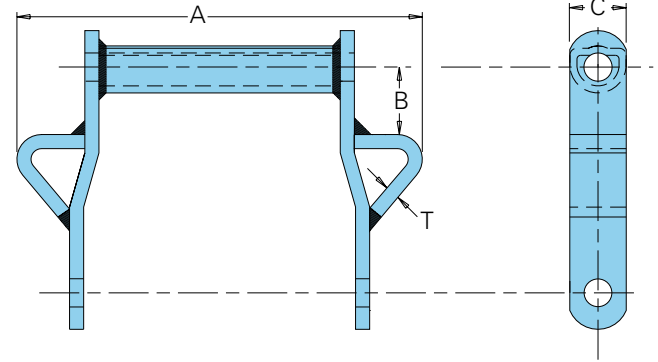
To locate compatible sprockets for your chain, refer to the Product Cross-Reference in Section D.

Note: Dimensions are subject to change. Contact Union Chain to obtain certified prints for design and construction.

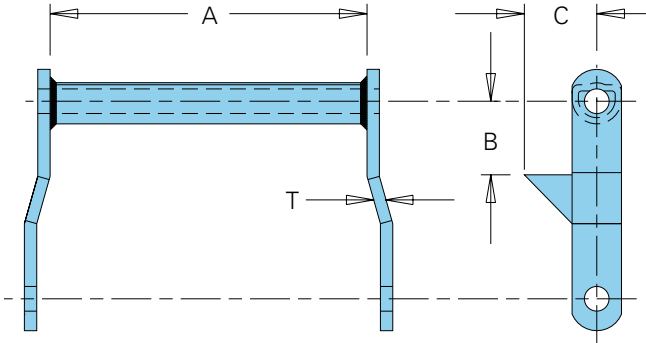
**C-1, C-3 and C-4 Attachments**



**Folded Wing Attachment**



**RR Attachment**



**Welded Steel Drag Chain Attachments**

All dimensions are in inches unless otherwise indicated.

Attachment Number	Chain Number	A	B	C	T	Approx. Weight (lbs./ft.)
C-1	WDH-102	7.00	.38	2.38	.38	14.4
	WDH-104	5.00	.38	2.38	.38	10.1
	WDH-110	10.00	.38	2.38	.38	15.5
	WDH-112	10.00	.38	2.38	.38	12.6
	WDH-116	13.00	.38	2.56	.38	18.4
C-3	WDH-113	10.00	.50	2.25	.50	17.3
	WDH-480	12.00	.50	3.00	.50	25.8
Folded Wing	WDH-102	14.25	1.75	1.50	.38	17.1
	WDH-104	11.50	2.75	1.50	.38	12.5
	WDH-110	17.00	2.63	1.50	.38	17.8
	WDH-112	17.00	3.25	1.50	.38	14.6
	WDH-113	17.00	2.25	1.50	.50	22.2
	WDH-116	22.00	3.25	1.75	.38	21.2
	WDH-480	22.00	3.25	2.00	.50	29.0
C-4	WDH-102	7.00	.38	3.75	.38	17.1
	WDH-104	5.00	.38	3.75	.38	11.7
	WDH-110	10.00	.38	3.75	.38	18.7
	WDH-112	10.00	.38	3.75	.38	15.1
	WDH-113	10.00	.50	4.75	.50	20.9
	WDH-116	13.00	.38	4.81	.38	23.5
	WDH-480	12.00	.50	5.00	.50	32.4
RR	WDH-102	8.50	1.75	2.50	.38	12.0
	WDH-104	6.25	3.00	2.50	.38	8.9
	WDH-112	11.25	3.00	2.50	.38	10.3
	WDH-113	11.63	2.25	2.50	.38	16.0
	WDH-116	14.88	3.25	3.00	.38	15.2
	WDH-480	13.75	3.00	3.25	.50	20.8

To locate compatible sprockets for your chain, refer to the Product Cross-Reference in Section D.

Note: Dimensions are subject to change. Contact Union Chain to obtain certified prints for design and construction.