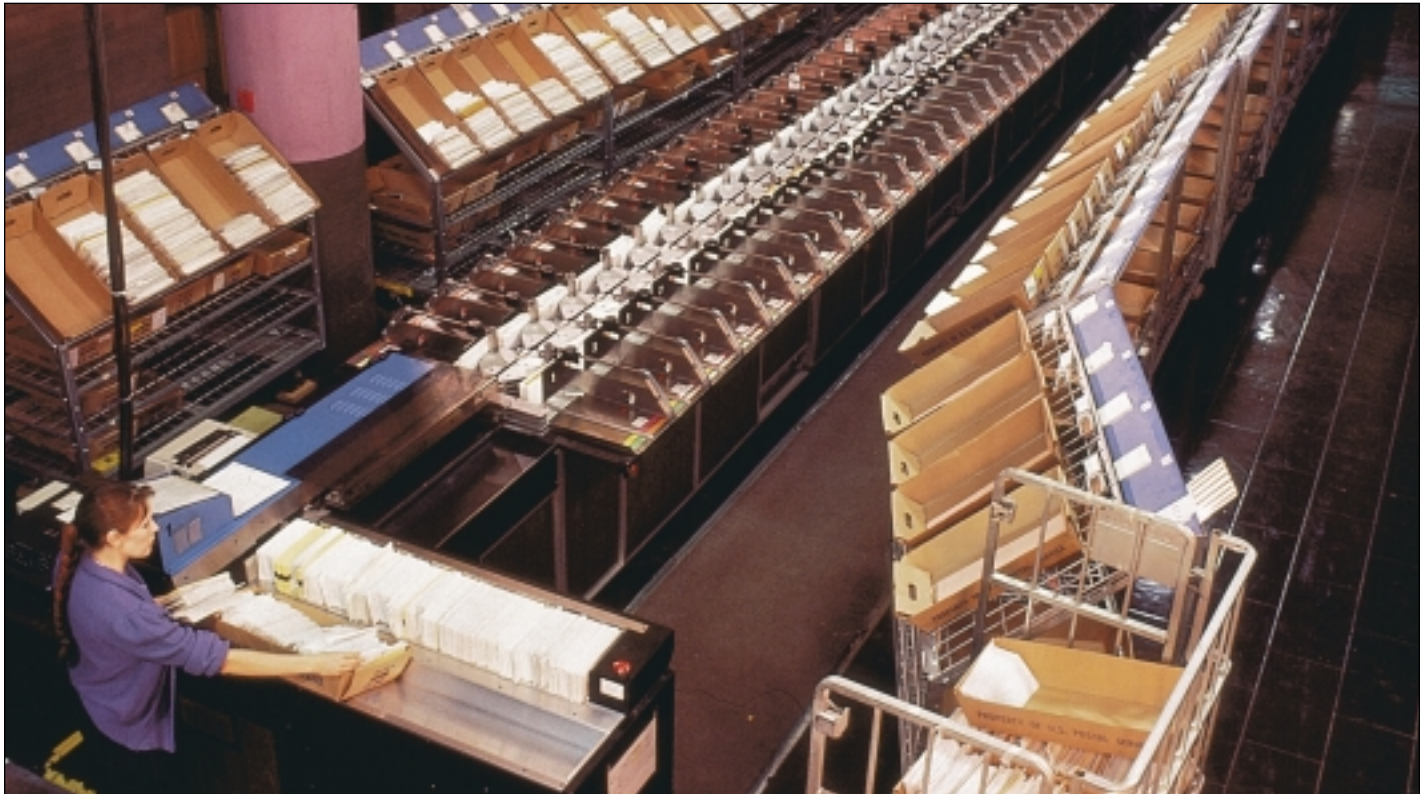




Distribution/ Material Handling

The Union Chain Division is the leading supplier of Sortation and Bi-planer Chains in the distribution and material handling industries for some very good reasons.



Union welds hold better.

Most manufacturers use hand welds, which frequently introduce defects into the chain system. We developed an automatic method to weld the bosses to the sidebars. Welds are consistently sound and the proper size.

Sidebars are treated for extra strength and long wear.

We heat-treat sidebars with atmosphere-controlled furnaces to match the carbon levels. Temperatures are controlled by microprocessors to maintain proper austenitizing and tempering conditions. The result is stronger chains for your sortation machinery.

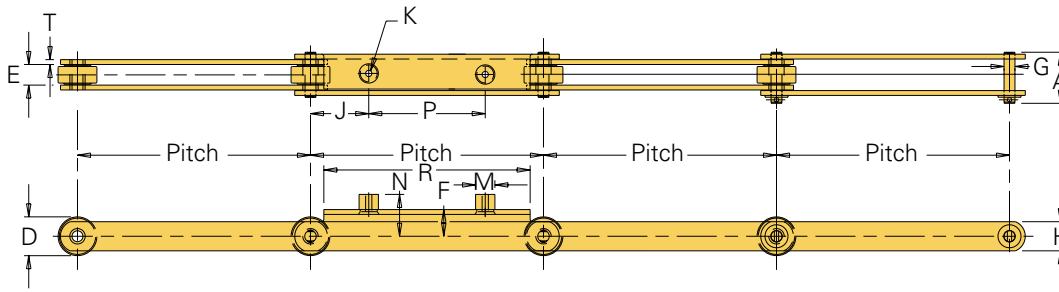
Quality checks ensure accuracy.

We test every temper load to make sure parts meet your specifications. That means you get reliable chain for your operation.

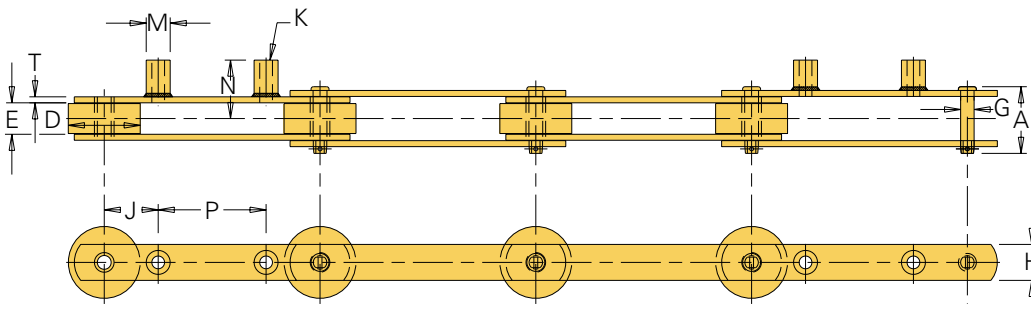
Select the right chain for your application.

Sortation and Bi-planer Chains are usually supplied in either 9" or 12" pitch. Attachments are welded boss or E-Style. They can be furnished with Urethane, Hytrel, or UHMW rollers.

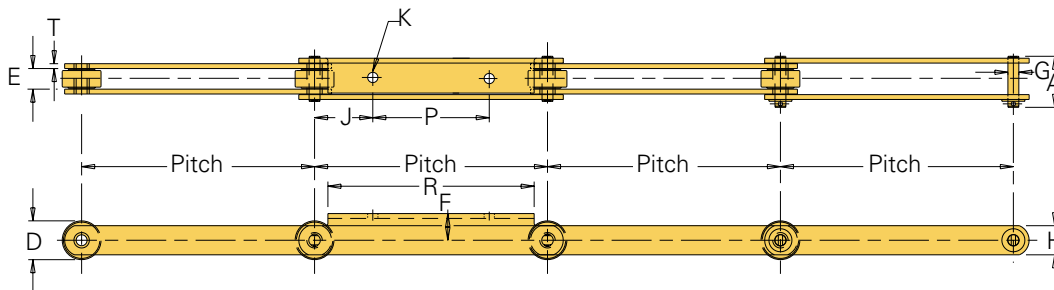
90003, 12001



90004, 12002



12003



Sortation Chains

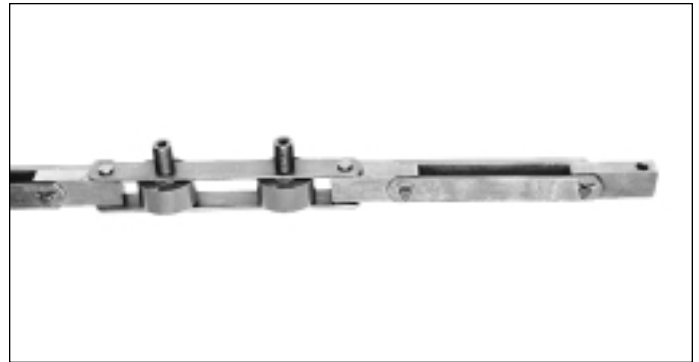
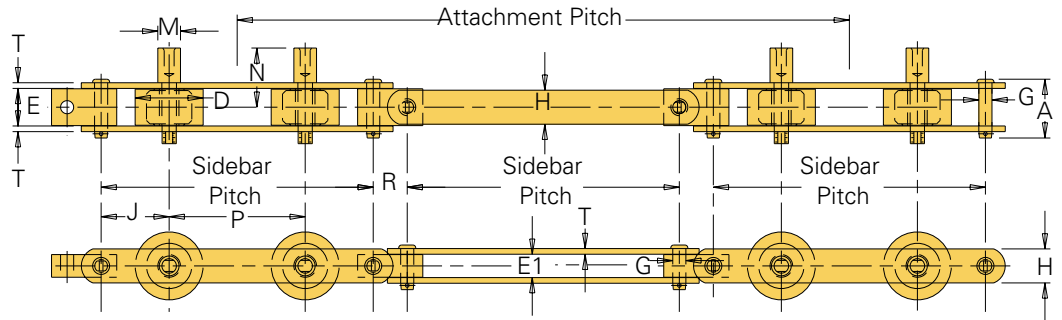
All dimensions are in inches unless otherwise indicated.

Chain No.	Pitch	Overall	Roller Dia.	Inside Width	Pin Dia.	Sidebar		Attachment						Bolt Dia.
						H	T	F	J	P	M	N	R	
90003	9.000	2.66	2.00	1.31	.56	1.50	.25	1.38	1.50	6.00	1.00	2.94	7.63	.50
12001	12.000	2.73	2.00	1.31	.56	1.50	.25	1.38	3.00	6.00	1.00	2.94	10.63	.50
90004	9.000	2.78	3.00	1.31	.56	1.50	.25		1.50	6.00	1.00	2.44		.50
12002	12.000	2.78	3.00	1.31	.56	1.50	.25		3.00	6.00	1.00	2.44		.50
12002	12.000	2.78	3.00	1.31	.56	1.50	.25		2.25	7.50	1.00	2.44		.63
12003	12.000	2.73	2.00	1.06	.56	1.50	.25	1.38	3.00	6.00			10.63	.50

To locate compatible sprockets for your chain, refer to the Product Cross-Reference in Section D.

Note: Dimensions are subject to change. Contact Union Chain to obtain certified prints for design and construction.

27001, 30001



Bi-Planer Sortation Chains

All dimensions are in inches unless otherwise indicated.

Chain No.	Sidebar Pitch	Att. Pitch	Overall	Roller Dia.	Inside Width		Pin Dia.	Sidebar			Attachment				
					E	E1		H	T	J	P	M	N	R	
27001	12.000	27.000	2.59	3.00	1.66	1.03	.63	1.50	.25	3.00	6.00	1.00	2.61	1.50	
30001	12.000	30.000	2.59	3.00	1.66	1.03	.63	1.50	.25	3.00	6.00	1.00	2.61	3.00	

To locate compatible sprockets for your chain, refer to the Product Cross-Reference in Section D.

Note: Dimensions are subject to change. Contact Union Chain to obtain certified prints for design and construction.

Make In-Line Inspections Easy

Put machinery access at your fingertips. ONE-TOUCH INSPECTION DOOR® is a dust- and rain-tight inspection and service door for conveyors, as well as processing and handling equipment. These pre-fabricated units are in-stock and ready-to-go for easy installation at the job site. Once in place, ONE-TOUCH INSPECTION DOOR allows for quick and simple inspection without the need for special tools: just lift the lever! No bolts to loosen and no covers to misplace. One touch is all it takes...it's that simple. For more information, see the ONE-TOUCH INSPECTION DOOR description in Section C.

THE UNION SOLUTION

- **Automatic welding for sound, consistent welds**
- **Strong, long-lasting chain**
- **Special heat-treatment**
- **Microprocessor-controlled furnaces**
- **In-plant quality checks**