

# Hollow Pin Conveyor LAMBDA®

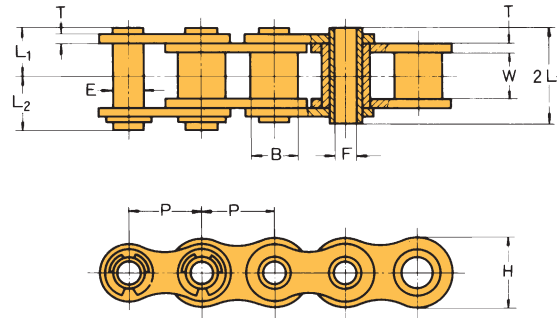


## LAMBDA for hollow pin applications.

- Attachments or crossrods can be inserted at any pitch spacing
- Single and double pitch sizes available

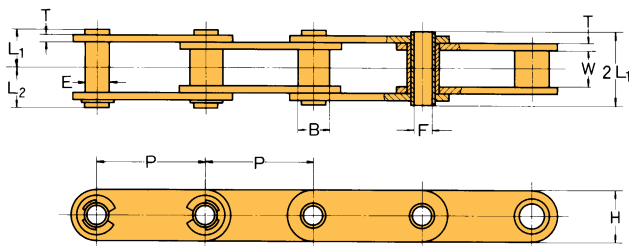
### Single Pitch Hollow Pin Conveyor LAMBDA®

Chain Number	Pitch P	Width Between Bushing Link Plates W	Bushing Dia. B	Pin				Link Plate		Average Tensile Strength lbs.	Maximum Allowable Load lbs.	Approx. Weight lbs./ft.
				Outer Dia. E	Inner Dia. F(MIN)	L <sub>1</sub>	L <sub>2</sub>	Height H	Thickness T			
RSC40HP-LAMBDA	.500	.312	.312	.224	.157	.315	.374	.472	.060	2,430	331	0.36
RSC50HP-LAMBDA	.625	.375	.400	.284	.202	.396	.459	.591	.080	4,410	573	0.58
RSC60HP-LAMBDA	.750	.500	.469	.330	.236	.494	.561	.713	.094	5,950	772	0.85

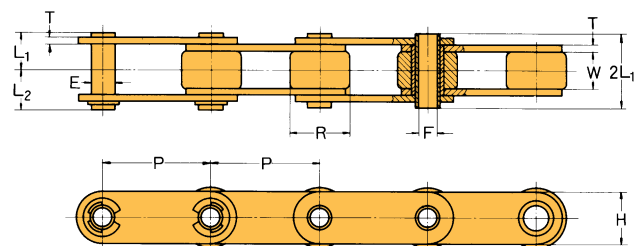


### Double Pitch Hollow Pin Conveyor LAMBDA®

Chain Number	Pitch P	Width Between Roller Link Plates W	"S" Roller Bush Dia. B	"R" Roller Dia. R	Pin				Link Plate		Average Tensile Strength lbs.	Maximum Allowable Load lbs.	Approx. Weight lbs./ft.	
					Outer Dia. E	Inner Dia. F(MIN)	L <sub>1</sub>	L <sub>2</sub>	Height H	Thickness T			Bushed Type	"R" Type
C2040HP-LAMBDA	1.000	.312	.312	.625	.224	.157	.315	.374	.472	.060	2,430	331	0.31	0.55
C2050HP-LAMBDA	1.250	.375	.400	.750	.284	.202	.396	.459	.591	.080	4,410	573	0.50	0.81
C2060HP-LAMBDA	1.500	.500	.469	.875	.330	.236	.494	.561	.677	.094	5,950	772	0.93	1.38



"S" roller (bushed type)



"R" roller