

TS Top Chain Linear Movement

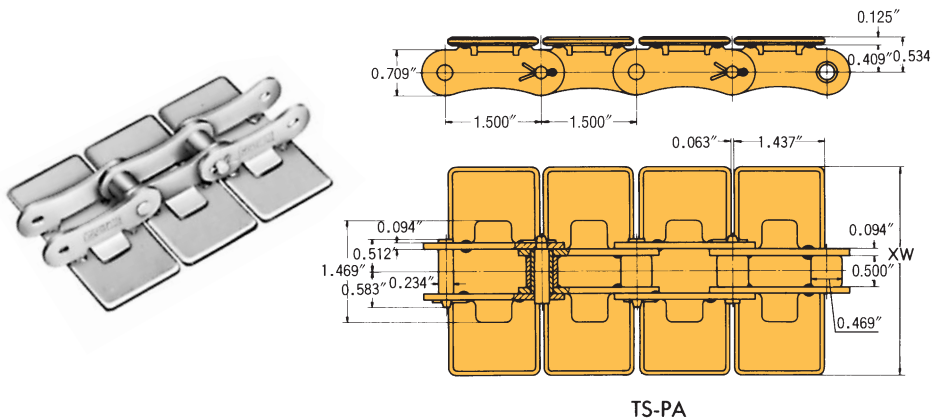
U.S. Tsubaki TS Top chain consists of top plates (made of 430 stainless steel) and steel roller chain identical to A2060. The top plates are projection welded to the link plate of the chain. The welded strength provides reliable operation.

TS Top chain is specially designed for use in packaging, bottling and labeling equipment.

- Installed horizontally over vertical sprockets.
- Chain can be disconnected at any joint for easy installation and maintenance.
- Provides dependable trouble free service.
- Wear resistant.
- Sprockets for C2060 can be used.
- Two types are available, namely, TS-PA and TS-P.

■ TS-PA type

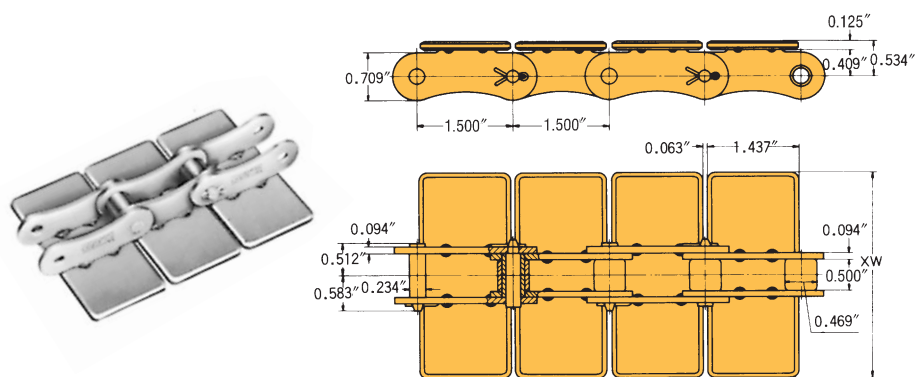
- TS-PA-SS all 304 stainless steel.
- TS-PA-CS carbon steel hardened chain with 430 stainless steel top plate.



U.S. TSUBAKI Chain No.	Slat Width XW	Approx. Weight lbs./ft.
TS635-PA	2.50	2.10
TS762-PA	3.00	2.20
TS826-PA	3.25	2.40
TS950-PA	3.74	2.60
TS1016-PA	4.00	2.80
TS1100-PA	4.33	2.90
TS1143-PA	4.50	3.00
TS1270-PA	5.00	3.10
TS1524-PA	6.00	3.50
TS1905-PA	7.50	4.10

■ TS-P type

- TS-P-SS all 304 stainless steel.
- TS-P-CS carbon steel hardened chain with 430 stainless steel top plate.



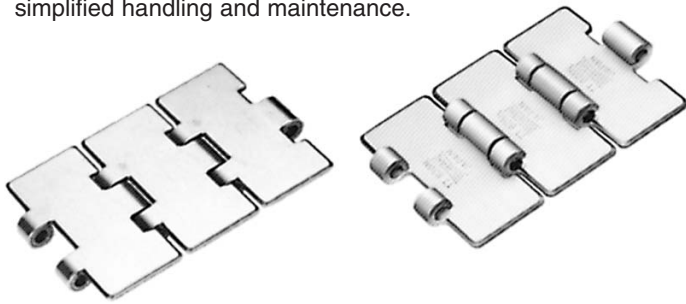
U.S. TSUBAKI Chain No.	Slat Width XW	Approx. Weight lbs./ft.
TS550-P	2.16	1.70
TS635-P	2.50	1.80
TS762-P	3.00	2.00
TS826-P	3.25	2.30
TS950-P	3.74	2.40
TS1016-P	4.00	2.60
TS1100-P	4.33	2.70
TS1143-P	4.50	2.80
TS1270-P	5.00	2.90
TS1524-P	6.00	3.40
TS1905-P	7.50	4.00

Note: 304 stainless steel top plates are available. Nickel-plated are also available. Consult U.S. Tsubaki for sprocket selection.

U.S. TSUBAKI TOP CHAIN

TT Top Chain Linear Movement

TT Slatop chain is made of only two parts – stainless steel top plates with rolled hinges, and pins. This extremely simple construction ensures high strength and a long service life. In addition, the chains pick up fewer impurities and remain clean longer. The result is highly simplified handling and maintenance.

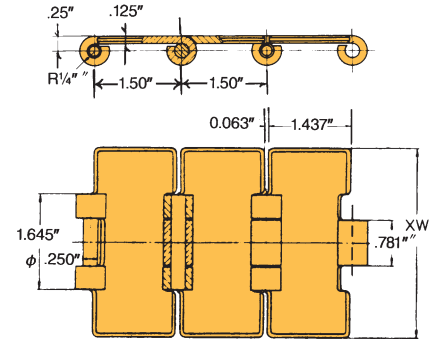


■ TT-N

Top plates are made of 430 stainless steel.
Pins are made of 304 stainless steel.

■ TT-SS

All parts are made of 304 stainless steel.



U.S. TSUBAKI Chain No.	Slat Width XW	Approx. Weight lbs./ft.
TT635-SS	2.50	1.50
TT762-SS	3.00	1.70
TT826-SS	3.25	1.80
TT1016-SS	4.00	2.10
TT1143-SS	4.50	2.40
TT1270-SS	5.00	2.60
TT1524-SS	6.00	3.00
TT1905-SS	7.50	3.60

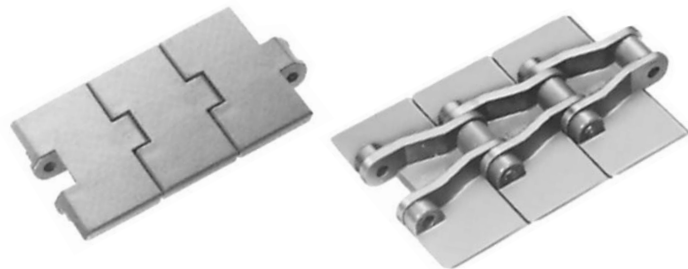
B - CONVEYOR CHAINS

TP Top Chain Linear Movement

U.S. Tsubaki TP Top chain consists of polyacetal resin top plates formed with each link and 304 stainless steel pins.

The uniquely shaped top plate along with U.S. Tsubaki technology ensures high strength and maximum chain life.

U.S. Tsubaki TP Top chain can be easily assembled and disassembled. Maintenance is minimal.

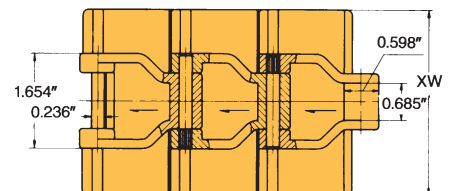
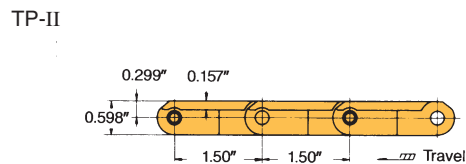
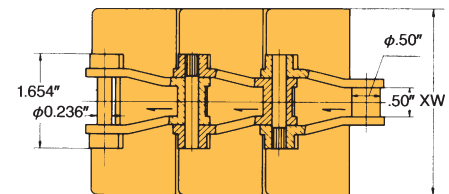
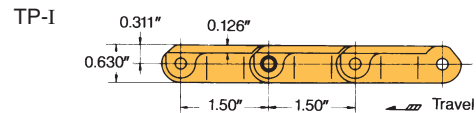


■ TP Type

Top plates are made of polyacetal.
Pins are made of 304 stainless steel.

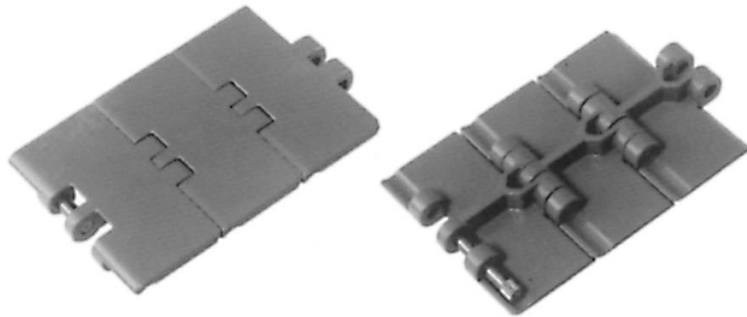
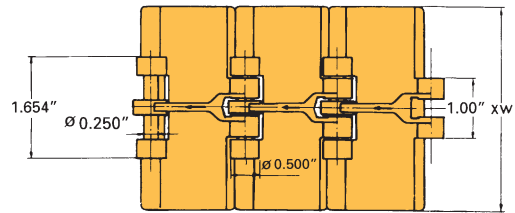
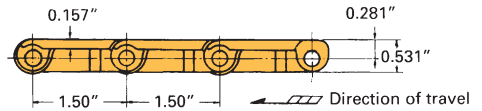
U.S. TSUBAKI Chain No.	Slat Width XW	Approx. Weight lbs./ft.	Type	Color
TP762	3.00	.54	I	Gray
TP826	3.25	.54	I	
TP1016	4.00	.60	II	
TP1143	4.50	.67	II	
TP1270	5.00	.74	II	

Note: Consult U.S. Tsubaki for sprocket selection.



TTP Top Chain Linear Movement

U.S. Tsubaki TTP Top chain has a simple design of polyacetal resin top plates and 304 stainless steel pins. Maximum allowable load is lower than the TP type, but they are economical when replacement is required.

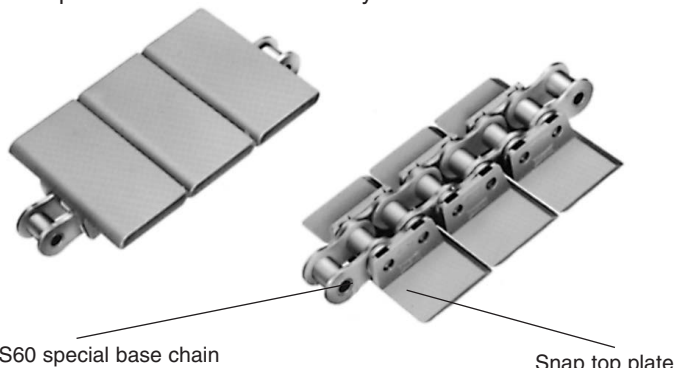
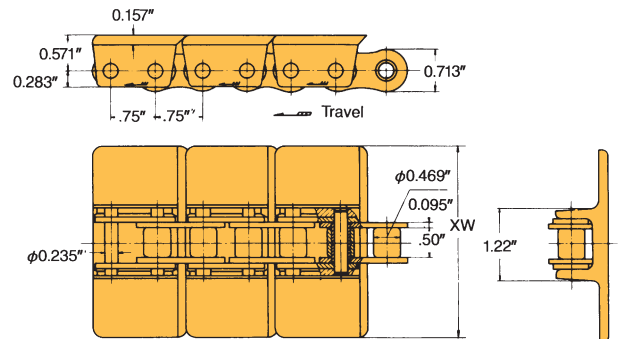


- **TTP AND TTPF**
Plates are made of polyacetal.
Pins are made of 304 stainless steel.

U.S. TSUBAKI Chain No.	Slat Width XW	Approx. Weight lbs./ft.	Color
TTP826 TTPF826	3.25	0.60	* TTP: gray * TTPF: brown low friction
TTP1143 TTPF1143	4.50	0.67	
TTP1270 TTPF1270	5.00	0.74	
TTP1905 TTPF1905	7.50	0.94	

TN Top Chain Linear Movement

U.S. Tsubaki TN Top chain consists of polyacetal resin top plates snapped onto special chain identical in size to RS60 chain. The chain is available in three types – carbon steel, nickel-plated carbon steel, and 304 stainless steel – to meet any application requirement. The top plate can be correctly and firmly snapped on to the special pins and the chain without any trouble.



- **TN, TN-NP AND TN-SS**
Top plates are polyacetal.
Chains are carbon steel, nickel-plated and 304 stainless steel.

U.S. TSUBAKI Chain No.	Slat Width XW	Approx. Weight lbs./ft.	Color of Top Plate
TN826	3.25	1.41	Gray
TN1016	4.00	1.48	
TN1143	4.50	1.55	
TN1270	5.00	1.61	
TN1905	7.50	1.88	

Note: Consult U.S. Tsubaki for sprocket selection.