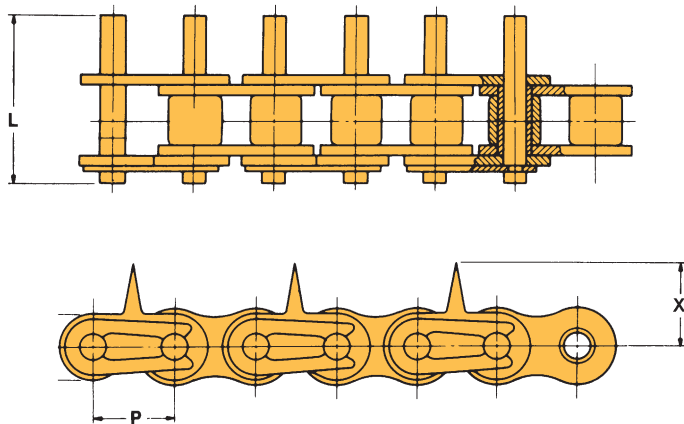


# U.S. TSUBAKI ATTACHMENT CHAIN FOR SPECIALTY APPLICATIONS

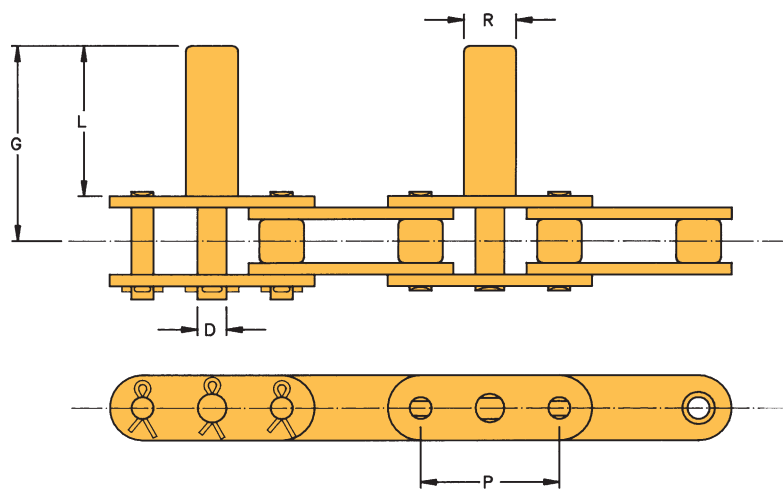
## Stock Specialty Attachment Chain

### AVAILABLE FOR IMMEDIATE DELIVERY

U.S. Tsubaki offers a full line of industry specific specialty chains FROM STOCK. This section illustrates many that are available for immediate delivery from our convenient Service Centers. Other specialty chains are available on a made-to-order basis.

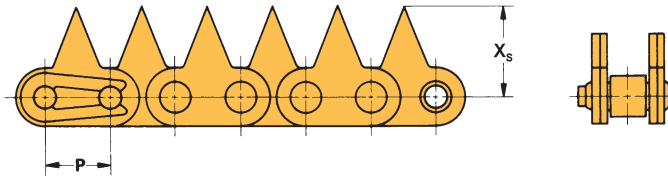


U.S. TSUBAKI Description	Pitch P	L	X <sub>s</sub>	Wt. lbs./ft.
50 SPIKE CHAIN	.625	1.298	.688	.8

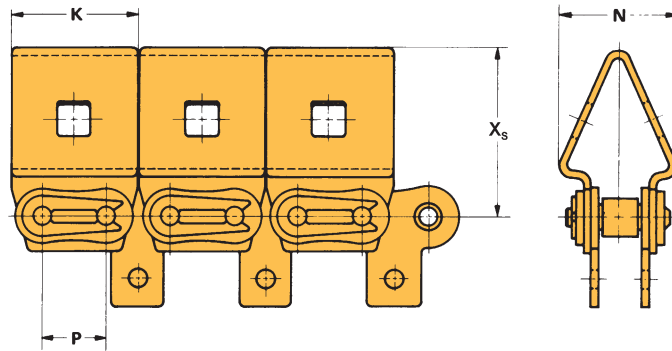


U.S. TSUBAKI Description	Pitch P	R	L	G	D	Wt. lbs./ft.
C2060H RIV with D-5 on Pin Link - 1/2 inch pin	1.500	.500	1.625	2.140	.313	1.2
C2060H RIV with D-5 on Pin Link - 9/16 inch pin	1.500	.563	1.625	2.140	.313	1.2

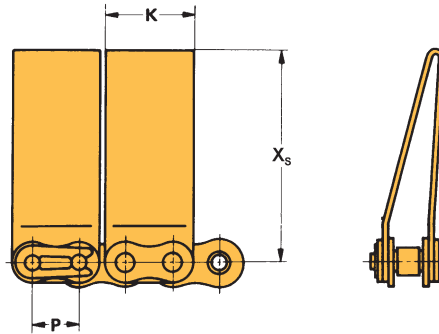
Available from stock in Carbon Steel and 304 Stainless Steel.



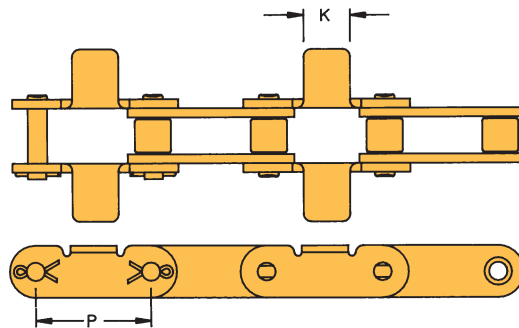
U.S. TSUBAKI Description	Pitch P	$X_s$	Wt. lbs./ft.
40 SS STICKER (304)	.500	.685	.5



U.S. TSUBAKI Description	Pitch P	$X_s$	K	N	Wt. lbs./ft.
40 BINDERY	.500	1.354	.988	.858	1.2



U.S. TSUBAKI Description	Pitch P	$X_s$	K	Wt. lbs./ft.
40 SS TENT - 1"	.500	.813	.900	.8
40 SS TENT - 2.5"	.500	2.250	.900	.9



U.S. TSUBAKI Description	Pitch P	K	Wt. lbs./ft.
C2050CU RIV with special K-O	1.250	.500	.7