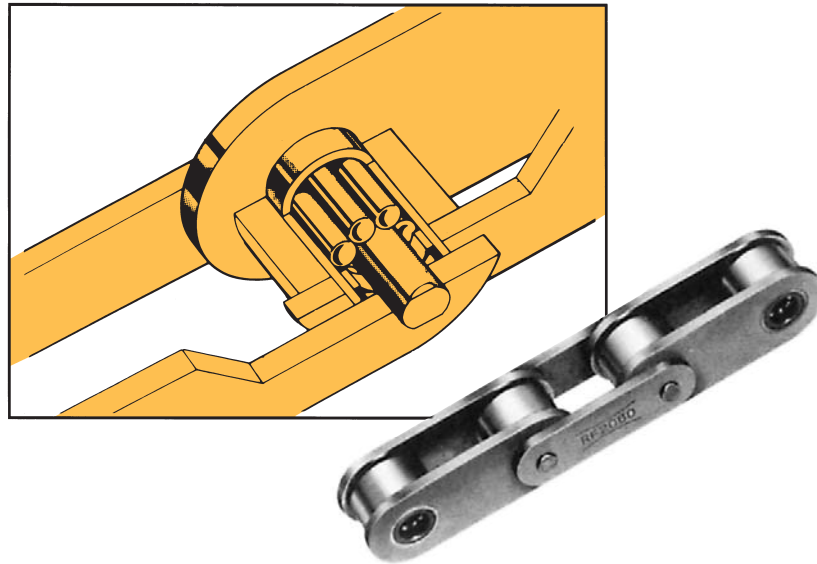
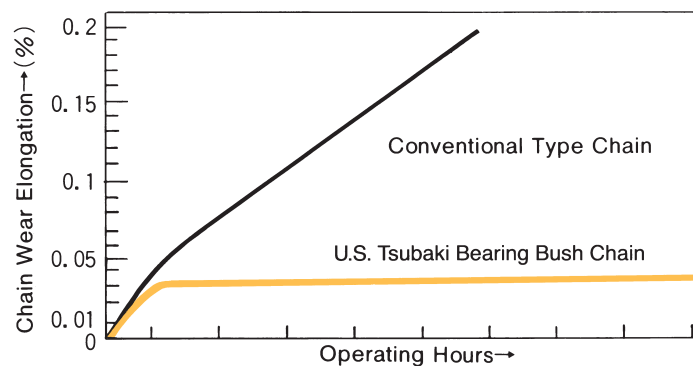


Bearing Bush Chain



■ Wear Resistance Comparison—Without Lubrication

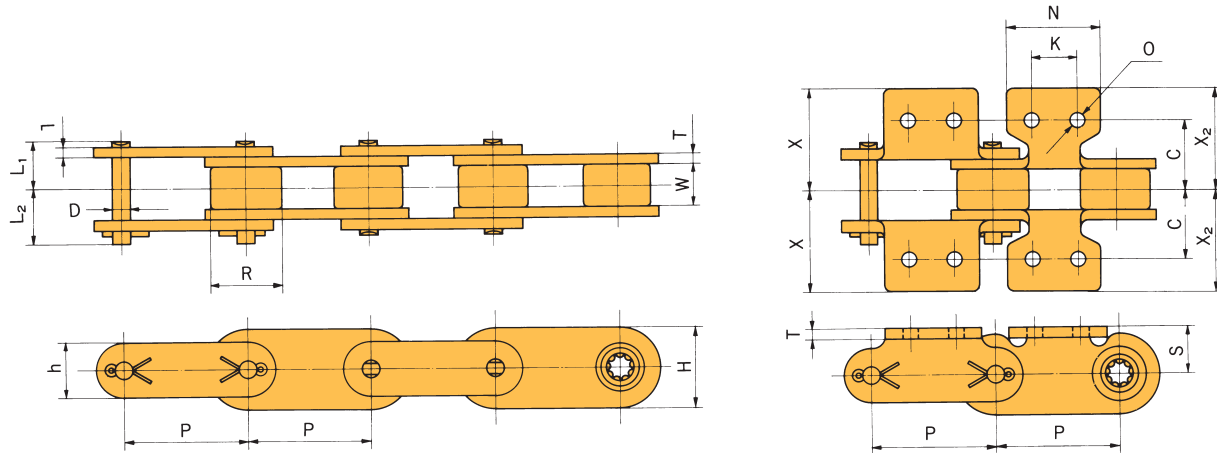


U.S. Tsubaki Bearing Bush chain virtually eliminates initial stretch. With needle bearings placed between the pin and bushing, Bearing Bush chain offers excellent wear life without lubrication.

Major dimensions of the chain and attachments are the same as our ASME/ANSI standard double pitch conveyor chains. U.S. Tsubaki Bearing Bush chain works perfectly with standard over-sized roller sprockets.

Bearing Bush chain is suggested for precision applications requiring accurate positioning of the conveyed material.

DOUBLE PITCH CHAIN SERIES



U.S. TSUBAKI	Pitch	Roller Diameter	Width Between Roller Plates	Link Plate				Pin		Maximum Allowable Load lbs.	Allowable Roller Load lbs./roller	Approx. Weight lbs./ft.
				w	T	H	h	D	L ₁			
Chain No.	P	R	w	T	H	h	D	L ₁	L ₂			
CN2042	1.000	.625	.312	.060	.689	.473	.156	.325	.380	176	33	.66
CN2052	1.250	.750	.375	.080	.827	.591	.200	.406	.472	287	44	1.16
CN2062H	1.500	.875	.500	.125	1.024	.677	.234	.573	.667	396	66	1.72
CN2082H	2.000	1.125	.625	.156	1.378	.906	.312	.720	.823	660	121	2.60

U.S. TSUBAKI	Attachment							Additional Weight per Attachment lbs.	
	S	C	X	N	K	T	O	A-2 Att.	K-2 Att.
Chain No.									
CN2042	.358	.500	.760	.752	.374	.060	.142	.0066	.0132
CN2052	.437	.626	.953	.937	.469	.080	.204	.0132	.0265
CN2062H	.579	.844	1.240	1.126	.563	.125	.205	.0374	.0748
CN2082H	.752	1.094	1.602	1.500	.752	.156	.268	.0704	.1408

- Note:
1. Spring clip type connecting links will be provided for CN2042 ~ CN2062H.
 2. Offset links are not available.
 3. SS Series (SUS304) is also available.
 4. Link plates can be nickel-plated.