

DIMENSION DIAGRAM (7)

NEMA-C Flange Input/Output Type (1/4 H.P. to 5 H.P.)

Example of model number

DK 002 FN FN - 1

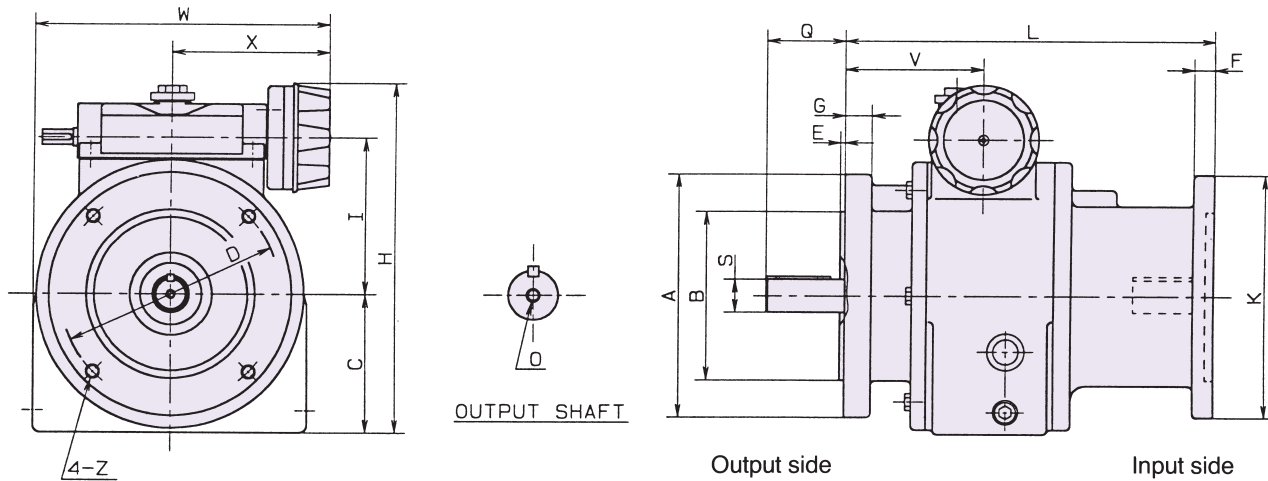
56C output and 56C input
 -1, -2, -3 or -4 added to the end of the model number denotes various combinations of output to input flange sizes
 (-1 is a stock item, other numbers require a short lead time). See chart below for these combinations.

NEMA-C flange DISCO output installation

NEMA-C flange DISCO input installation

Capacity (DISCO capacity 002: 1/4 hp)

DISCO K Series



Model Number	Output Side NEMA Frame No.	Input Side NEMA Frame No.	Length			Width			Knob		Flange			Weight lbs.
			L	H	C	W	X	I	V	G	F	K		
DK002FNFN-1	56C	56C	7.98	6.89	2.60	5.94	3.15	3.01	2.91	0.59	0.58	6.63	30	
DK004FNFN-1	56C	56C	8.49	7.99	2.95	6.83	3.68	3.59	3.27	0.59	0.58	6.63	38	
DK007FNFN-1	143/145TC	143/145TC	9.91	9.33	3.70	7.91	4.25	4.18	3.66	0.71	0.58	6.50	61	
DK007FNFN-2	143/145TC	56C												
DK007FNFN-3	56C	143/145TC												
DK007FNFN-4	56C	56C												
DK015FNFN-1	182/184TC	143/145TC	11.71	10.71	4.33	9.09	4.25	4.92	4.21	0.63	0.58	6.50	93	
DK015FNFN-2	182/184TC	56C												
DK022FNFN-1	213/215TC	182/184TC	13.53	14.53	5.80	14.48	8.58	6.02	5.00	0.63	0.97	9.00	178	
DK037FNFN-1	213/215TC	182/184TC	16.00	14.86	5.80	14.48	8.58	6.02	5.00	0.63	0.79	9.00	187	

Output Side NEMA-C Flange and Shaft Dimensions

NEMA Frame No.	Flange					Shaft				
	A	B	D	E	Z	O	Q	S	Key	
56C	6.50	4.500	5.875	0.125	3/8-16	10-24UNC 0.50DP	2.063	5/8	3/16	
143/145TC	6.50	4.500	5.875	0.125	3/8-16	1/4-20UNC 0.63DP	2.125	7/8	3/16	
182/184TC	9.00	8.500	7.250	0.250	1/2-13	1/4-20UNC 0.63DP	2.875	1%	1/4	
213/215TC	9.00	8.500	7.250	0.250	1/2-13	5/16-18UNC 0.75DP	3.375	1%	5/16	