

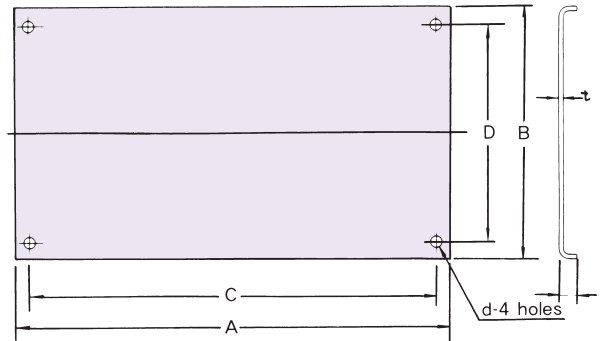
Shock Relay Accessories

When purchasing Shock Relay, consider these convenient accessories, also available from U.S. Tsubaki.

■ Fitting Plate

When mounting Shock Relay in your electrical panel box, save yourself time and money with our fitting plate. Pre-drilled to fit the appropriate model, our fitting plate eliminates the need for you to fabricate and drill your own holes. Refer to the chart below for dimensions.

FITTING PLATE



Type	A	B	C	D	E	t	d	Weight
TSB50	7 ³ / ₃₂	4 ¹¹ / ₃₂	6 ³ / ₈	3 ⁵ / ₈	1 ³ / ₃₂	1/16	3/64	.8 lbs.
TSB151-152	9 ⁷ / ₁₆	5 ¹⁷ / ₃₂	8 ²⁹ / ₃₂	4 ¹³ / ₁₆	1 ³ / ₃₂	5/64	7/32	1.4 lbs.

■ Shock Relay Enclosure

Protect your Shock Relay from casual contact, dust and intermittent exposure to splashes and spills of water and other chemicals. Includes a window for easy viewing of the meter and settings. Meets ISO IP44 standards.

Available for models TSB151 and TSB152 series units.

