



U.S. Tsubaki, Inc.

Engineering Chain Division

ONE-TOUCH INSPECTION DOOR[®]



**Patented
Design**

Easy Access Inspection Doors

- **Durable and trouble-free**
- **Dust- and rain-tight**
- **Easy to open**
- **Easy to install**

ONE-TOUCH INSPECTION DOOR®

EASY ACCESS TO YOUR LINES

**Put ONE-TOUCH
INSPECTION DOOR®
to work today!**



ONE-TOUCH INSPECTION DOOR is a dust- and rain-tight inspection and service door for conveyors, as well as processing and handling equipment. These pre-fabricated units are in-stock and ready-to-go for easy installation at the jobsite. Once in place, ONE-TOUCH INSPECTION DOOR allows for quick and simple inspection without the need for special tools: just lift the lever! No bolts to loosen and no covers to misplace. One touch is all it takes...it's that simple.

You can't build better access to your equipment. In-house fabrications are an expensive and labor-intensive proposition. They are clumsy and hard to open. Bolts are difficult to loosen, and they are easy to lose. That costs time and money. In-house fabrications just can't stand up to the rigors of most in-plant operations.

ONE-TOUCH INSPECTION DOOR was specifically designed to last—indoors or out. In fact, it has a three-part, **patented design**.

1. The framework is made of high-quality mild steel or stainless steel to ensure durability and long service life.
2. The strong, long-lasting hinges and self-locking handles open and close easily.
3. The specially designed gaskets withstand temperatures of -95°F to 550°F and ensure a tight fit against water and dust.

Best of all, ONE-TOUCH INSPECTION DOOR installs quickly to existing equipment, without detailed dimensioning or costly structural changes.

Select the door that is right for your operation. We offer **Standard ONE-TOUCH INSPECTION DOORS** in regular and high-neck styles in a variety of sizes. Standard doors are available in mild steel for general applications or stainless steel for extra corrosion resistance. Polyethylene, epichlorhydrin, or silicon rubber gaskets seal tight in temperatures from -95°F to 400°F. **Large ONE-TOUCH INSPECTION DOORS** are available in mild steel for general applications or stainless steel for high corrosion resistance. Large doors come with neoprene rubber or silicon rubber strip gaskets to meet your operating temperatures from -80°F to 550°F.

And we offer other sizes and materials on a **made-to-order basis**. Do you need a different size or extra handles? We can work with you on special requirements, including types of materials for casings and levers, unique sizes, as well as placement of hinges.

SAFETY FEATURES

LOCKOUT



A simple padlock can be used on any ONE-TOUCH INSPECTION DOOR to prevent entry to equipment.

PROTECTIVE SCREEN



A protective screen for visual inspection is available for immediate shipment on P1, P2 and P3 styles (special order for other styles). Meets OSHA standards.

ONE-TOUCH INSPECTION DOOR® is a registered trademark of Tsubaki Conveyor of America, Inc.



ONE-TOUCH INSPECTION DOOR®

STANDARD MODEL	
Description	Material Thickness
Frame	10 gauge
Cover	13 gauge

GASKET OPTIONS	
Materials	Temperature Ranges
Polyethylene (SG)	-95PF to 175PF
Epichlorhydrin (ECH)	-40PF to 275PF
Silicon rubber (HT)	-67PF to 400PF

COMPONENT COMPOSITION * Call for Availability.

Model Number	Body Material	Handle Material
P SERIES	Mild steel with rust-proof primer	Chrome-plated
Q SERIES	304 Stainless steel	Chrome-plated
R SERIES	304 Stainless steel	304 Stainless steel
QS SERIES*	316L Stainless steel	Chrome-plated
RS SERIES*	316L Stainless steel	304 Stainless steel

STANDARD ONE-TOUCH INSPECTION DOOR SPECIFICATIONS Dimensions are in inches unless otherwise indicated.

Style/Model No.		Door Frame				Cover					Lever			Approx. Weight (lbs.)		
		Regular	High Neck	A	B	H		A1	A2	B1	H1		L1		Qty.	Reg.
Reg.	High Neck					Reg.	High Neck				Reg.	High Neck				
P1	P1H	5	8	2	4	6 1/4	8 1/2	9	2 1/2	4 1/2	4 1/2	6 1/2	1	5	6	
P2	P2H	8	12	2	4	9	11 1/4	13	2 1/2	4 1/2	4 1/2	6 1/2	1	7	9	
P3	P3H	13 3/4	19 3/4	2	4	15	17 1/4	20 3/4	2 1/2	4 1/2	4 1/2	6 1/2	2	13	18	
P4		19 3/4	23 1/2	3	N/A	20 3/4	23 1/4	24 3/4	3 1/2	N/A	4 1/2	N/A	2	24	N/A	
304 Stainless Steel Body, Chrome-Plated Handle																
Q1	Q1H	5	8	2	4	6 1/4	8 1/2	9	2 1/2	4 1/2	4 1/2	6 1/2	1	5	6	
Q2	Q2H	8	12	2	4	9	11 1/4	13	2 1/2	4 1/2	4 1/2	6 1/2	1	7	9	
Q3	Q3H	13 3/4	19 3/4	2	4	15	17 1/4	20 3/4	2 1/2	4 1/2	4 1/2	6 1/2	2	13	18	
Q4		19 3/4	23 1/2	3	N/A	20 3/4	23 1/4	24 3/4	3 1/2	N/A	4 1/2	N/A	2	24	N/A	
304 Stainless Steel Body, 304 Stainless Steel Handle																
R1	R1H	5	8	2	4	6 1/4	8 1/2	9	2 1/2	4 1/2	4 1/2	6 1/2	1	5	6	
R2	R2H	8	12	2	4	9	11 1/4	13	2 1/2	4 1/2	4 1/2	6 1/2	1	7	9	
R3	R3H	13 3/4	19 3/4	2	4	15	17 1/4	20 3/4	2 1/2	4 1/2	4 1/2	6 1/2	2	13	18	
R4		19 3/4	23 1/2	3	N/A	20 3/4	23 1/4	24 3/4	3 1/2	N/A	4 1/2	N/A	2	24	N/A	
316L Stainless Steel Body, Chrome-Plated Handle																
QS1	QS1H	5	8	2	4	6 1/4	8 1/2	9	2 1/2	4 1/2	4 1/2	6 1/2	1	5	6	
QS2	QS2H	8	12	2	4	9	11 1/4	13	2 1/2	4 1/2	4 1/2	6 1/2	1	7	9	
QS3	QS3H	13 3/4	19 3/4	2	4	15	17 1/4	20 3/4	2 1/2	4 1/2	4 1/2	6 1/2	2	13	18	
316L Stainless Steel Body, 304 Stainless Steel Handle																
RS1	RS1H	5	8	2	4	6 1/4	8 1/2	9	2 1/2	4 1/2	4 1/2	6 1/2	1	5	6	
RS2	RS2H	8	12	2	4	9	11 1/4	13	2 1/2	4 1/2	4 1/2	6 1/2	1	7	9	
RS3	RS3H	13 3/4	19 3/4	2	4	15	17 1/4	20 3/4	2 1/2	4 1/2	4 1/2	6 1/2	2	13	18	

Note: Dimensions are rounded to the nearest 1/4". ONE-TOUCH INSPECTION DOOR® is a registered trademark of Tsubaki Conveyor of America, Inc.

ONE-TOUCH INSPECTION DOOR®

LARGE MODEL

Description	Material Thickness
Frame	1/4"
Cover	10 gauge



COMPONENT COMPOSITION

* Call for Availability.

L Series	Options
Body material	Mild steel, Stainless steel*
Lever material	Mild steel, Stainless steel*
Body finish	Rust-proof primer
Handle finish	Chrome-plated
Gasket options	Neoprene rubber, Silicon rubber

GASKET OPTIONS

Materials	Temperature Range
Neoprene rubber	-20PF to 160PF
Silicon rubber (HT)	-80PF to 550PF

LARGE ONE-TOUCH INSPECTION DOOR SPECIFICATIONS

Dimensions are in inches unless otherwise indicated.

Model No.	Door Opening		Cover			Lever		Approx. Weight (lbs.)
	A	B	A1	B1	H	L1	Qty.	
L1	29 1/2	19 3/4	34 1/4	24 1/2	3 1/4	5 1/4	5	80
L2	39 1/4	25 1/2	44	30 1/4	3 1/4	5 1/4	6	111
L3	47 1/4	31 1/2	52	36 1/4	3 1/4	5 1/4	8	141

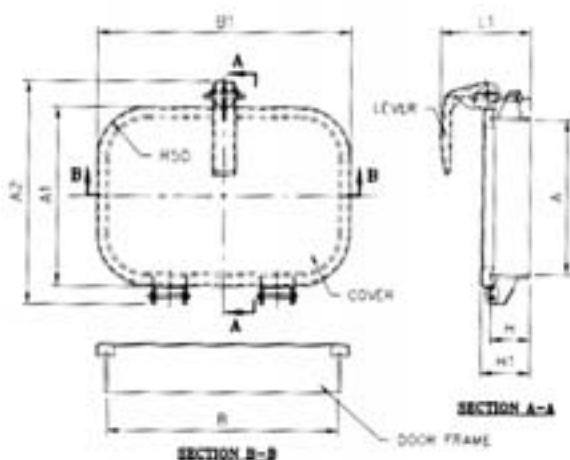
Note: Dimensions are rounded to the nearest 1/4".

Need a special size...or extra handles?

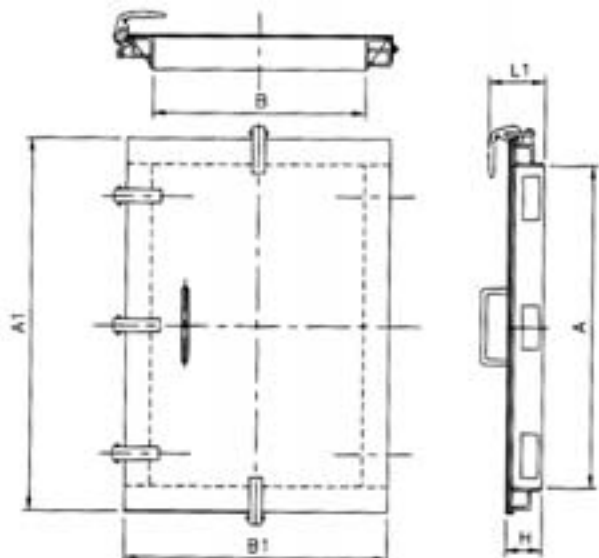
Do you want to change the location of handles or hinges?

Contact your representative. We can work with you on special requirements.

STANDARD MODEL



LARGE MODEL



ONE-TOUCH INSPECTION DOOR®

IT'S AS EASY AS 1 - 2 - 3!

Easy access is at your fingertips.



1. Position the door.

Place the door frame at the appropriate site and tack weld it into position. Then solidly weld the frame to the surface.



2. Cut the inside hole.

Open the door and carefully torch burn the center to create the access area.



3. Complete installation.

After the area has cooled, attach the lever, apply the gasket, and place the safety warning label in a prominent position.

ONE-TOUCH INSPECTION DOOR®

EASY ACCESS TO YOUR OPERATION



U.S. TSUBAKI, INC.
HEADQUARTERS
301 E. MARQUARDT DRIVE
WHEELING, IL 60090
TEL: (800) 323-7790
TEL: (847) 459-9500
FAX: (847) 459-9515
WEB SITE: www.ustsubaki.com

U.S. TSUBAKI, INC.
ENGINEERING CHAIN DIVISION
1010 EDGEWATER DRIVE
SANDUSKY, OHIO 44870
TEL: (800) 537-6140
TEL: (419) 626-4560
FAX: (419) 626-5194

Service Centers

Atlanta, GA
U.S. Tsubaki, Inc.
675 Wesleyan Drive, S.W.
Atlanta, GA 30336
Tel: (800) 443-8212
Tel: (404) 349-7973
Fax: (404) 349-7975

Charlotte, NC
B.C. & H. Company
11010 Monroe Road
Matthews, NC 28105
Tel: (704) 847-9131
Fax: (704) 847-3651

Chicago, IL
U.S. Tsubaki, Inc.
301 E. Marquardt Drive
Wheeling, IL 60090
Tel: (800) 323-7790
Tel: (847) 459-9500
Fax: (847) 459-9515

Dallas, TX
Robco, Inc.
1523 Crescent Drive
Carrollton, TX 75006
Tel: (800) 444-7609
Tel: (972) 242-3300
Fax: (972) 245-2328

Los Angeles, CA
U.S. Tsubaki, Inc.
18031 Cortney Court
City of Industry, CA 91748
Tel: (800) 352-4315
Tel: (626) 913-1344
Fax: (626) 913-5042

Philadelphia, PA
U.S. Tsubaki, Inc.
2321 N. Penn Road
Hatfield, PA 19440
Tel: (800) 258-3847
Tel: (215) 997-9170
Fax: (215) 997-9179

Manufacturing Facilities

Bennington, VT
Sprocket Division
222 Bowen Road
Bennington, VT 05201
Tel: (800) 451-4441
Tel: (802) 447-7561
Fax: (802) 447-0755

Holyoke, MA
Roller Chain Division
821 Main Street
Holyoke, MA 01040
Tel: (800) 628-9037
Tel: (413) 536-1576
Fax: (413) 534-8239

Sandusky, OH
Engineering Chain Division
1010 Edgewater Drive
Sandusky, OH 44870
Tel: (800) 537-6140
Tel: (419) 626-4560
Fax: (419) 626-5194

Mississauga, ON
Tsubaki of Canada Limited
1630 Drew Road,
Mississauga, ON
Canada L5S 1J6
Tel: (800) 263-7088
Tel: (905) 676-0400
Fax: (905) 676-0904

Distributed by:

NOTE: IN ACCORDANCE WITH THE POLICY OF U.S. TSUBAKI, INC. TO CONSISTENTLY IMPROVE ITS PRODUCTS, THE SPECIFICATIONS IN THIS BROCHURE ARE SUBJECT TO CHANGE WITHOUT NOTICE. **FOR CURRENT TERMS AND CONDITIONS OF SALE, SEE OUR ENGINEERING CHAIN GENERAL CATALOG .**

