

# U.S. TSUBAKI STANDARD ATTACHMENT CHAIN

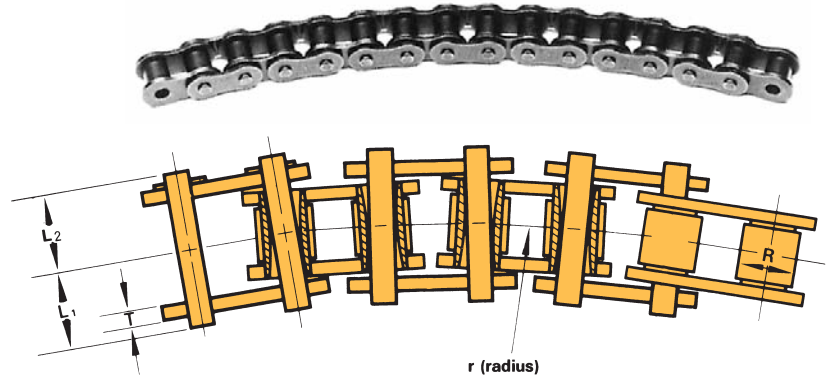
## Curved Attachment Chain

### CURVED CHAIN

U.S. Tsubaki Curved chain has additional clearance between the pins and bushings and between the roller links and pin link plates to permit extra flexibility and greater lateral displacement. The basic dimensions of this chain are the same as those of ASME/ANSI standard roller chain.

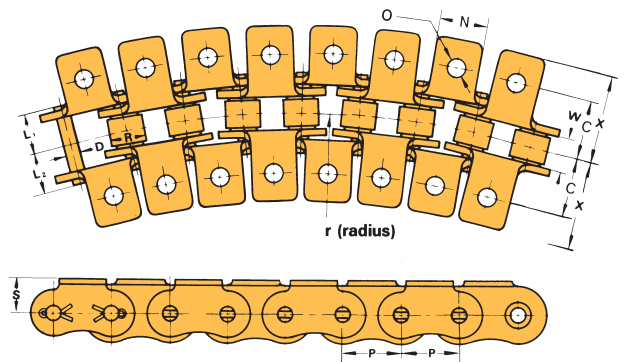
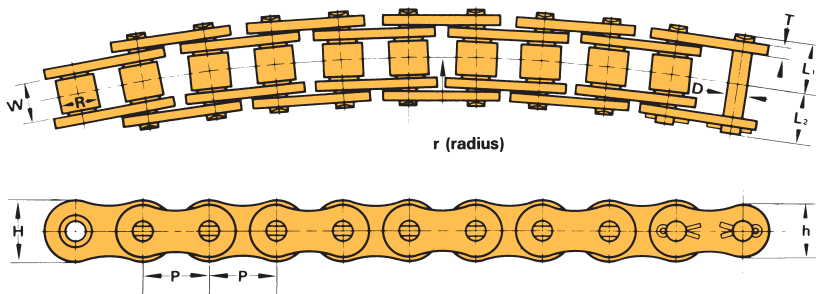
• Available in Carbon Steel or Stainless Steel.

NOTE: U.S. Tsubaki's unique design of the curved chain does not taper the pin diameter, which allows the pin diameter to be uniform throughout.



U.S. TSUBAKI Chain No.	Pitch P	Roller Diameter R	Width Between Roller Link Plates W	D	Pin			Link Plate			Min. Radius of Side Bow inches r
					L <sub>1</sub>	L <sub>2</sub>	L <sub>1</sub> + L <sub>2</sub>	T	H	h	
RS35CU▲	.375	.200	.188	.125	.238	.301	.539	.050	.354	.307	10
RS40CU	.500	.312	.312	.156	.333	.384	.717	.060	.472	.409	14
RS50CU	.625	.400	.375	.200	.417	.488	.905	.080	.591	.512	16
RS60CU	.750	.469	.500	.234	.522	.593	1.115	.094	.713	.614	20
RS80CU	1.000	.625	.625	.312	.659	.789	1.448	.125	.949	.819	24

NOTE: ▲ Rollerless (bushing only)



U.S. TSUBAKI Chain No.	Average Tensile Strength lbs.	Maximum Allowable Load lbs.	Approx. Weight lbs./ft.	Attachment					Additional Weight per Attachment lbs./att.	
				C	N	O	S	X	A Att.	K Att.
RS35CU▲	1,800	210	.22	.375	.311	.102	.250	.571	.0017	.0034
RS40CU	3,480	420	.41	.500	.374	.141	.315	.709	.0044	.0088
RS50CU	5,420	640	.68	.626	.500	.205	.406	.933	.0066	.0132
RS60CU	7,830	900	.94	.750	.625	.205	.469	1.122	.0154	.0308
RS80CU	13,840	1,560	1.66	1.000	.752	.268	.626	1.461	.0287	.0574

NOTE: ▲ Rollerless (bushing only)